

327(-HDS)

Socket terminal strip
Screw connection



GENERAL INFORMATION

Pitch	14,5 mm
No. of poles	1 - 12
Areas of application	For lighting applications and similar electrical equipment.

TECHNICAL DATA

Clamping Range	<i>solid / stranded / AWG</i>		
without wire protector	4 - 16 mm ² / 4 - 16 mm ² / 12 - 4 AWG		
with wire protector	4 - 16 mm ² / 4 - 10 mm ² / 12 - 6 AWG		
Rated Cross Section	16 mm ² [1]		
Wire Stripping Length	9 mm ± 1 mm		
Overvoltage Category	III	III	II
Pollution Severity Level	3	2	2
Rated Voltage	500 V	630 V	1000 V
Rated Impulse Voltage	6 kV	6 kV	6 kV
Rated Insulation Voltage	750 V acc. to EN 60998-1		
Rated Current	76 A		
Torque	2 Nm		

APPROVALS

	Current [A]	Voltage [V]	Group	AWG	[Nm]
	80	300	B,C	14 - 4	1,8 [2]
	80	600 V [3]	B,C	14 - 4	1,8 [2]
	80	300	B	14 - 6	1,8
	80	150	C	14 - 6	1,8
	10	300	D,E	14 - 6	1,8
	Current [A]	Voltage [V]	mm ²		
	76	750	16		

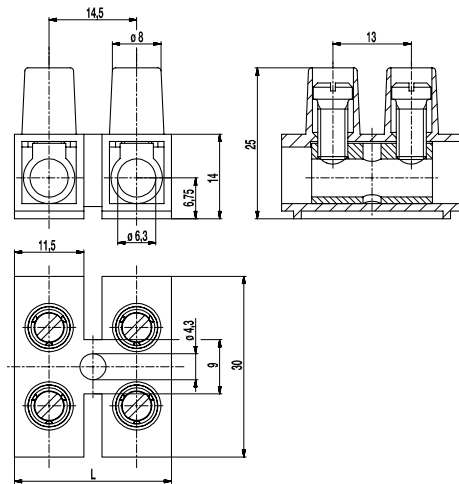
[1] multi-wire

[2] for 327-HDS 14 - 6 AWG, 65 A

[3] Shall be mounted on a suitable insulated surface, on standoffs or equivalent means to maintain spacing from live parts to the mounting surface.

CONFIGURATIONS

Version	Poles	Item	Article number	Item	Article number	Length (L)	PU
Standard	1	327/01	11.825.001.EN6	327-HDS/01	31.825.001.EN6	14,50 mm	1000
Standard	2	327/02	12.825.001.EN6	327-HDS/02	32.825.001.EN6	29,00 mm	500
Standard	3	327/03	13.825.001.EN6	327-HDS/03	33.825.001.EN6	43,50 mm	250
Standard	4	327/04	14.825.001.EN6	327-HDS/04	34.825.001.EN6	58,00 mm	250
Standard	5	327/05	15.825.001.EN6	327-HDS/05	35.825.001.EN6	72,50 mm	200
Standard	6	327/06	16.825.001.EN6	327-HDS/06	36.825.001.EN6	87,00 mm	180
Standard	7	327/07	17.825.001.EN6	327-HDS/07	37.825.001.EN6	101,50 mm	160
Standard	8	327/08	18.825.001.EN6	327-HDS/08	38.825.001.EN6	116,00 mm	160
Standard	9	327/09	19.825.001.EN6	327-HDS/09	39.825.001.EN6	130,50 mm	130
Standard	10	327/10	20.825.001.EN6	327-HDS/10	40.825.001.EN6	145,00 mm	100
Standard	11	327/11	21.825.001.EN6	327-HDS/11	41.825.001.EN6	159,50 mm	100
Standard	12	327/12	22.825.001.EN6	327-HDS/12	42.825.001.EN6	171,00 mm	90



MATERIAL

Moulding	PA, white, V-0
Comparative Tracking Index	CTI ≥ 600
Insulating Group	I
Temperature Range	-40°C up to 100°C
Terminal body	Nickel plated brass
Screw	M5; zinc plated steel, blue passivated
Wire protector	Stainless steel strip

OPTIONS / ACCESSORIES

- Marking options on and between the screw guides
- Marking strips BST-327
- Jumper 327-J
- Version with raised base: please see 327-FU

